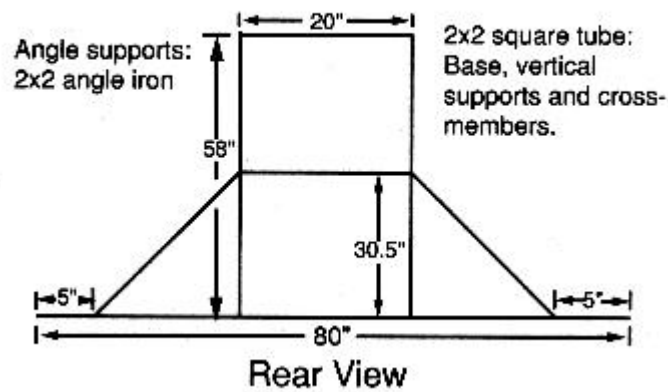
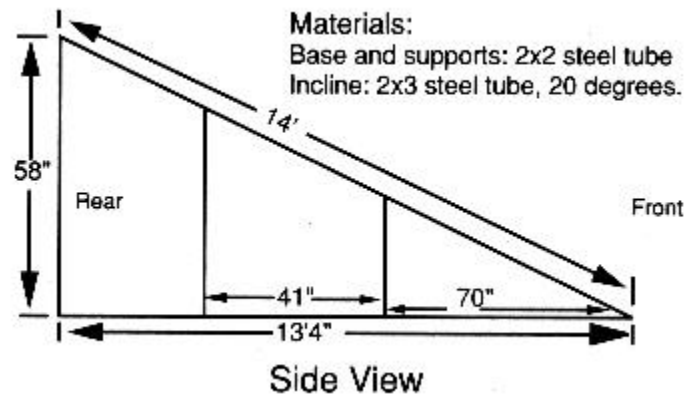
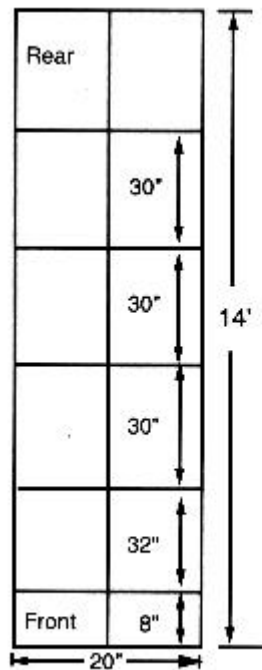
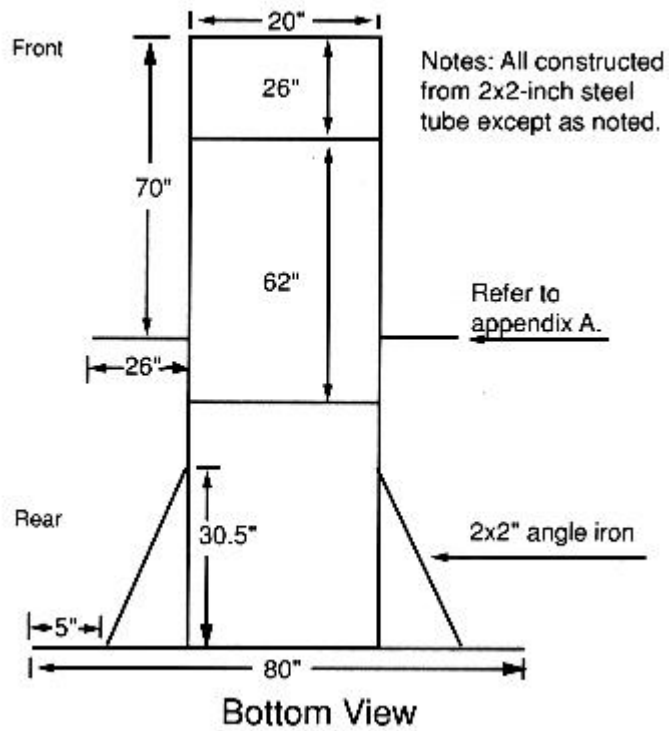


# Ramp Travel Index

(RTI)

## Build Specifications





### Materials

Two outer 14' lengths:  
2x3-inch steel tube.

Middle 14' length:  
2x2-inch steel tube.

Crossmembers:  
2x2-inch steel tube

Cover top with 14'x20"  
stretch plate.

Top View Ramp